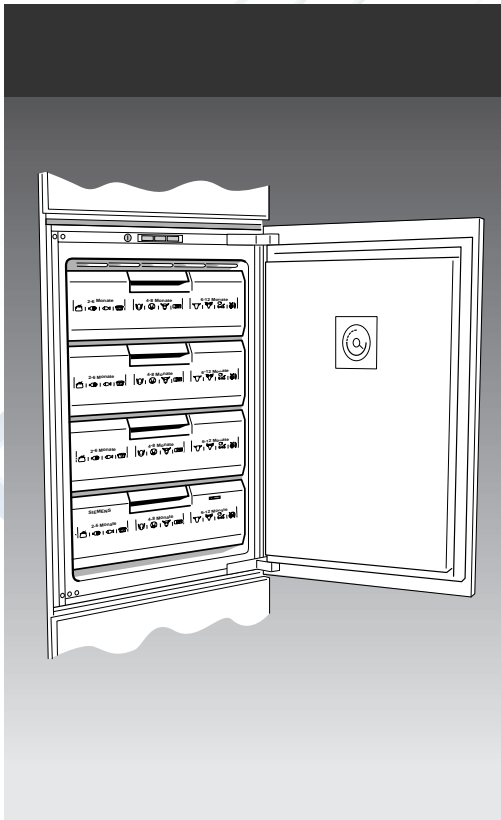


Gebrauchsanleitung
Instruction for Use
Mode d'emploi
Istruzioni per l'uso

Gebruiksaanwijzing
Instrucciones de uso
Instruções de Serviço
Οδηγίες χρήσεως



5700 011 605 (8310)

GI..B

<http://rembitteh.ru/>

en Index

Instructions on appliance disposal	16	Freezing and storing	21
Safety information	16	Defrosting frozen produce	24
Getting to know your appliance	18	Defrosting and defrosting aids	24
Note ambient temperature and ventilation	19	Cleaning the appliance	25
Connecting the appliance	19	Tips for saving energy	25
Switching ON the appliance	20	Operating noises	25
Switching OFF and disconnecting the appliance	20	Eliminating minor faults yourself	26
		Customer service	26

Instructions on appliance disposal

Disposal of your old appliance

When replacing your old appliance with a new one, please comply with the following:

Old appliances are not worthless rubbish. Valuable raw materials can be reclaimed by recycling old appliances.

Render your old appliance unusable:

1. Pull out the mains plug,
2. Cut off the power cord and discard with mains plug,
3. **To prevent children from locking themselves in the refrigerator and suffocating, REMOVE THE LOCK.**

Professional disposal is required for refrigerants in refrigeration appliances and gases contained in the insulation. Ensure that refrigeration tubing and coils are not damaged or punctured prior to their proper disposal.

Disposal of packaging

Warning:

Keep children away from the shipping carton and packaging components. Danger of suffocation from folding cartons and plastic film.

You received your new appliance in a protective shipping carton. All packaging materials are environmentally friendly and recyclable. Please contribute to a better environment by disposing of packaging materials in an environmentally-friendly manner.

Please ask your dealer or inquire at your local authority about current means of disposal.

Safety information

Before switching on the appliance

Please read the operating and installation instructions carefully. They contain important information on how to install, use and maintain the appliance.

The manufacturer is not liable if you fail to comply with the instructions and warnings in the operating manual. Please retain these operating and installation instructions as they may be required by a subsequent appliance user.

Installing and connecting the appliance



Warning!

- The appliance contains a small quantity of the environmentally-friendly but flammable refrigerant R600a. Ensure that the refrigeration tubing is not damaged during transportation and installation. Leaking refrigerant may cause eye injuries or ignite.

If refrigerant is leaking out:

- Avoid naked flames and ignition sources near the leakage.
- Unplug the appliance and ventilate the room for several minutes.

The more refrigerant in an appliance, the larger the room must be in which the appliance is situated. If a leak occurs in a room which is too small, a flammable gas-air mixture may occur.

The room must be at least 1 m³ per 8 g of refrigerant. The amount of refrigerant in your appliance is indicated on the rating plate inside the appliance.

In an emergency

- Wash eyes and call a doctor.
- Keep ignition sparks and naked flames away from the appliance.
- Pull out the mains plug and ventilate the room thoroughly for several minutes.

Using the appliance

- In the following cases remove the mains plug or switch OFF the fuse:
 - Defrosting
 - Cleaning
- Do NOT pull out the plug by tugging the mains cable.

- Repairs may only be performed by qualified customer-service technicians. Improper repairs may put the user in considerable danger.
- NEVER use electrical appliances inside the appliance (e.g. heater, ice-cream maker, etc).
- Do NOT stand or support yourself on the base, drawers or doors, etc.
- Bottles which contain a high percentage of alcohol must be sealed and placed vertically in the refrigerator.
- NEVER store products which contain flammable propellant gases (e.g. aerosols) or explosive substances in the appliance – **Explosion hazard!**
- Do NOT allow children to play with the appliance.
- If the appliance features a lock, keep the key out of the reach of children!

- NEVER use a steam cleaner to defrost or clean the appliance. Steam may come into contact with live components in the appliance and cause a short-circuit or an electric shock.
- Do NOT allow oil or fat to come into contact with the plastic components or door seal, otherwise the plastic parts and door seal could become porous.
- Do not store bottled or canned drinks (especially carbonated drinks) in the freezer compartment. Bottles and cans will explode.
- Do not put an ice lolly or ice cube directly from the freezer compartment into your mouth. **Risk of burns** from very low temperatures!
- Never touch frozen food with wet hands. Your hands could freeze to the food!
- Do not scrape off hoarfrost or stuck frozen food with a knife or pointed object. You could damage the refrigerant tubing. Leaking refrigerant may ignite or cause eye injuries.

General requirements

The appliance is suitable

- for freezing food,
- for making ice.

The appliance is designed for domestic use.

The appliance has been interference-suppressed in compliance with EU Directive 89/336/EEC.

The refrigerant circuit has been tested for leaks.

This product complies with the relevant safety regulations for electrical appliances (EXI 60335/2/24).

Getting to know your appliance



Before reading the instructions, please fold out the back pages. This operating manual refers to several models.

Diagrams may vary.

Example of features

Figure 1

1-5 Control panel

6 Freezer shelf

7 Freezer calendar*

8 Freezer drawer

9 Temperature display* in the freezer door
(* not all models)

Control panel

Fig. 2/ 2a

1 Temperature selector

To set the temperature, rotate the temperature selector with a coin.

Position “1” hottest temperature,

Position “7” coldest temperature

2 Master switch ON/OFF

with green pilot light (lights when the master switch has been switched ON).

3 **Fast-freeze button with yellow pilot light**

(lights when fast-freeze has been switched ON). To switch OFF, press the fast-freeze button again (fast-freeze does NOT switch OFF automatically).

4 **Temperature warning light (red)**

Lights if the freezer compartment is too warm, i.e. the frozen food is at risk of thawing. This warning light does not always indicate that the food is at risk, as it may switch ON temporarily when the appliance is switched ON, when large quantities of fresh food have been placed in the freezer, when the appliance door has been open for too long or when the temperature selector has been set to a higher setting (lower temperature).

5 **Warning-signal OFF button**
(not all models)

The warning signal is emitted at the same time as the red warning light switches ON. The warning signal stops when the red warning light goes out or when the warning-signal OFF button is pressed.

Temperature display in the appliance door

Fig. 3

(not all models)

The temperature display (independent of the power supply) indicates two temperature ranges.

Black temperature range – freezer temperature correct

Dash-lined temperature range – freezer temperature too low

The dash-lined temperature range may also be temporarily indicated:

- when the appliance is switched ON
- when fresh produce has been placed in the freezer or when the door has been open for too long.

If food is to be frozen for a long time, adjust the temperature selector until the temperature indicator is in the black area.

If the temperature indicator is in the dash-lined area for a prolonged period, e.g. during a power failure, check whether the frozen food is beginning to defrost.

Do NOT refreeze food which is beginning to defrost or which has already defrosted. Only food which is subsequently cooked may be refrozen.

No longer store the frozen produce for the max. storage period.

Note ambient temperature and ventilation

The appliance can be operated at the following ambient temperatures depending on the “climatic category” (see rating plate). (The rating plate can be found inside the appliance at the bottom left-hand side. **Fig 10**).

Climatic category	Ambient temperature from...to
SN	+10 °C bis 32 °C
N	+16 °C bis 32 °C
ST	+18 °C bis 38 °C
T	+18 °C bis 43 °C

Ventilation

The air at the back of the appliance will heat up. This warm air must be allowed to freely escape, otherwise the refrigerating machine must perform more. This raises electricity consumption. Hence, the air-inlet and outlet apertures should never be covered or blocked off!

Connecting the appliance

After installing the appliance, you should wait at least ½ hour before switching on the appliance. While the appliance is being transported, the oil in the compressor may leak into the refrigeration system.

Before switching ON for the first time, clean the inside of the appliance (see “Cleaning”).

The socket should be easily accessible. Operate the appliance only when installed.

Connect the appliance to 220–240 V/50 Hz alternating current via a correctly installed earthed socket. The socket must be fused with a ≥ 10 A fuse.

If the appliance is to be operated in a non-European country, the supply voltage, current type and frequency of the appliance indicated on the rating plate must correspond with the specification of your power supply. The rating plate can be found inside the appliance at the bottom left-hand side. The mains connection cable may only be replaced by an electrician.

Switching ON the appliance

Press the master switch **Fig. 2/2**, the green and red pilot lights switch ON (not all models). Warning signal is emitted (not all models).

Switching OFF the warning signal

(not all models).

Press the warning-signal OFF button **Fig. 2/4**. To ensure that the warning signal is emitted in the event of a malfunction, wait until the red pilot light has gone out and then press the warning-signal OFF button again.

Setting the temperature

Set the temperature with the temperature selector **Fig. 2/1**. Higher settings indicate lower temperatures. We recommend a medium setting (e.g. 2–3).

If your appliance features a temperature display, adjust the temperature selector until the temperature indicator is in the black area **Fig. 3**.

Tips

- If the door cannot be opened immediately after closing the freezer compartment, please wait 2–3 minutes until the partial vacuum has equalised.

- The refrigeration system may cause parts of the freezer shelves to become quickly covered in hoarfrost. This will NOT affect the function or power consumption of the appliance. The appliance does not require defrosting until the entire surface of the freezer shelf is covered in more than 5 mm of hoarfrost or ice.
- To prevent the formation of condensation near the door seal, the sides of the housing are heated slightly.

Switching OFF and disconnecting the appliance

Switching OFF the appliance

Press the master switch **Fig. 2/2**. The green pilot light goes out.

Disconnecting the appliance

If the appliance is not to be used for a prolonged period, pull out the mains plug, clean the appliance and leave the door open.

Freezing and storing

When purchasing deep-frozen food

- Ensure that the wrapping is not damaged.
- The sell-by date must not have run out.
- The temperature display on the supermarket freezer should be -18°C or lower.
- Purchase deep-frozen food last, wrap in newspaper or place in a cold bag, take home quickly and place in the freezer compartment.
- When storing food which is already frozen, all drawers can be filled immediately. It is NOT necessary to switch ON fast freeze.

Wrapping food

Pack food in suitable portions for your household. Vegetables and fruit portions must NOT be heavier than 1 kg; meat portions must NOT be heavier than 2.5 kg. Smaller portions freeze quicker and maximum quality is retained during thawing and preparation.

To prevent the flavour from escaping, wrap the food in airtight containers.

The following products are suitable for wrapping/packing food:

Plastic film, polyethylene blown film, aluminium foil and freezer tins. These products can be purchased from your dealer.

The following products are NOT suitable for wrapping/packing food:

Wrapping paper, greaseproof paper, cellophane, refuse bags and used shopping bags.

Wrap up the food. Press out all the air and seal the wrapping.

The following products are suitable for sealing the wrapped food:

Rubber bands, plastic clips, string, cold-resistant adhesive tape or similar. Bags and polyethylene blown film can be sealed with a film sealer.

Before placing the food in the freezer compartment, label and date the wrapped food.

Freezing food yourself

If you wish to freeze food yourself, use only fresh, undamaged food.

The following foods are suitable for freezing:

Meat and sausage products, poultry and game, fish, vegetables, herbs, fruit, cakes and pastries, pizza, ready meals, leftovers, egg yolk and egg-white.

The following foods are NOT suitable for freezing:

Eggs in shells, soured cream and mayonnaise, green salads, radishes and onions.

Blanching vegetables and fruit

To retain colour, flavour, aroma and vitamin C, vegetables and fruits should be blanched prior to freezing. (Blanching is the brief immersion of vegetables and fruit in boiling water – literature on freezing and blanching is available in bookshops).

Max. freezing capacity

To retain the vitamins, nutritional value, appearance and flavour, freeze the food as quickly as possible. Do NOT exceed the max. freezing capacity of your appliance. Depending on the appliance model, you can freeze all the following quantities of food on the freezer shelves. If food is frozen in the freezer drawers, the max. quantity is reduced slightly.

GIL104./	GI10B4.	10 kg
GIL107./	GI10B7.	10 kg
GIL114./	GI11B4.	12 kg
GIL117./	GI11B7.	12 kg
GIL124./	GI12B4..	12 kg
GIL127./	GI12B7..	12 kg
GIL814./	GI12BF.	12 kg
GFL104./	GF10B4.	10 kg
GFL124.	GF12B4.	10 kg

Freezing food

- Allow hot food and drinks to cool down to room temperature before placing them in the freezer compartment.
- NEVER place bottled or canned drinks in the freezer compartment, as they will explode during the freezing process.
- Food can be placed anywhere in the freezer compartment. It is recommended to place larger quantities of food directly on the freezer shelves where they will freeze especially quickly and therefore retain the flavour and nutritional value. Spread the food over the freezer shelves.
- **Food which is already frozen must NOT come into contact with fresh food which is to be frozen.**

If required, restack frozen food on the lower shelves and/or in the lower drawers. Place the ice blocks (if enclosed) directly on the food in the top compartment.

Note

If fresh food is frozen, the temperature display will indicate a temperature increase. The alarm system* may even be actuated. However, there is NO risk that food which is already frozen will defrost. After 24 hours at the latest the temperature display will be in the black area again

(* not all models).

Fast freezing

If there is already food in the freezer compartment, switch ON fast freezing several hours before freezing fresh produce. As a rule, 4–6 hours is adequate. If max. freezing capacity is to be utilised, 24 hours are required. Smaller quantities of food (up to 2 kg) can be frozen without fast freeze. To switch ON fast freeze, simply press the fast-freeze button **Figure 2/3**.

The yellow pilot light indicates that fast freeze is ON. The refrigerating unit now operates continuously. The freezer compartment drops to a low temperature.

After inserting fresh produce into the freezer compartment, switch OFF fast freezing. The freezing process is now controlled automatically by the appliance at a reduced power consumption.

When the temperature indicator **Fig. 3** is in the black area, the freezing process is complete.

Effective capacity

Specifications on the effective capacity **without interior features** according to the current standard can be found on the rating plate.

With interior features the usable capacity according to the rating plate specifications is:

Freezer compartment:

Effective capacity:	Usable capacity:
81 l	61 l
108 l	82 l

Storing food

Ensure that the freezer drawers are pushed all the way into the freezer compartment, otherwise the air will not circulate correctly in the appliance!

If large quantities of food are to be stored in the freezer, all the freezer drawers (except the bottom one) can be taken out of the appliance and the food stored directly on the freezer shelves. To remove a freezer drawer, pull out all the way, lift at the front and remove **Fig. 4**.

To prevent food from thawing in the event of a power failure or malfunction, take the ice blocks out of the freezer tray and place them directly on the food in the top compartment.

Freezer calendar

Fig. 6

not all models

The figures next to the symbols indicate the permitted storage period in months of the produce. If frozen produce is purchased, comply with the manufacturer's date or sell-by date.

Ice block

Fig. 7/A

(not all models; if enclosed, quantity may vary).

If a power failure or malfunction occurs, the ice blocks can be used to slow down the thawing process. The ice blocks can also be used to cool food temporarily, e.g. in a cold bag.

Freezer tray

Fig. 7/B

The freezer tray is suitable for storing the ice block and for freezing individual berries, fruit, herbs and vegetables. Remove the ice block, distribute the produce uniformly on the freezer tray and leave to freeze for approx. 10–12 hours. Then transfer the produce into freezer bags or containers. To defrost the produce, spread out the individual items of food outside the appliance.

Making ice

Fig. 8

Fill the ice tray three-quarters full with water and place in the bottom of the freezer compartment. If the ice tray is stuck to the freezer compartment, loosen with a spoon-handle, etc. **Do NOT use pointed or sharp-edged implements!** To facilitate removing the ice cubes, twist the ice tray slightly or hold briefly under flowing water. Ice cubes can be stored ready to hand in the container (if enclosed). The ice tray can also be used as a cover for the container.

Defrosting frozen produce

Depending on the type of food and intended use, frozen produce can be defrosted:

- At room temperature,
- In a refrigerator,
- In an electric oven, with/without fan assisted hot-air,
- In a microwave

Note

Do NOT refreeze food which is beginning to defrost or which has already defrosted. Only food which is subsequently prepared (cooked or fried) may be refrozen.

No longer store the frozen produce for the max. storage period.

Defrosting and defrosting aids

Defrosting

Fig. 9

To defrost the freezer compartment, please pull out the mains plug or switch OFF the fuse.

Thick hoarfrost and ice on the freezer shelves will impair the performance of the appliance and increase the power consumption.

If the hoarfrost is approx. $\frac{1}{2}$ cm thick, the freezer compartment must be defrosted. Nevertheless, defrost the freezer compartment at least once or twice a year. The best time to defrost is when there is little or no food in the appliance.

Approx. 4 hours before defrosting, switch ON fast freeze. The food will then drop to a very low temperature and can therefore be stored for a longer period at room temperature. Then remove all freezer drawers (except the bottom one) and food and place the ice block (if enclosed) on the food. Wrap the frozen produce in several sheets of newspaper or in a blanket and place in a cool location.

To catch the melting ice, leave the bottom drawer in the appliance but remove any produce from the drawer. Pull out the mains plug or switch OFF the fuse. To accelerate the defrosting process, place two pans of hot water on a base in the appliance. To prevent the heat from escaping, close the appliance door.

Defrosting aids

When the freezer compartment has defrosted, pour the melted ice out of the freezer drawer. Wipe any remaining water off the bottom of the freezer compartment with a sponge. Clean the appliance.

Warning

NEVER use electric heaters, steam cleaners, candles or kerosene lamps to defrost the freezer compartment.

Caution when using defrosting sprays, as these may form explosive gases and may contain solvents or propellants which attack plastic or which are a health hazard.

Observe the manufacturer's specifications.

Do NOT scrape off hoarfrost or ice with sharp-edged metallic implements, otherwise the freezer shelves may be damaged. Leaking refrigerant may cause eye injuries or ignite.

Cleaning the appliance

1. **Warning: Pull out the mains plug or switch OFF the fuse.**
2. Clean the door seal with water only and then dry thoroughly.
3. Clean the appliance with tepid water containing a cleaning agent. The water and cleaning agent must NOT drip onto the control panel.
4. After cleaning, put the plug back in and switch ON the appliance.

Warning: NEVER clean the appliance with a steam cleaner. The steam may come into contact with live components in the appliance and cause a short-circuit or an electric shock! The hot steam may damage the plastic surfaces.

Do NOT use abrasive or acidic cleaning agents or solvents.

The freezer drawers can be removed for cleaning. To remove a freezer drawer, pull out all the way, lift at the front and remove **Fig. 4.**

NEVER clean appliance parts in the dishwasher, as they may warp!

Tips for saving energy

- Install the appliance in a dry, well ventilated room, but not in direct sunlight and not near a heat source (e.g. radiator, cooker, etc.). If required, use an insulating plate.
- Allow warm food and drinks to cool down before placing in the appliance!
- Open and close the door as briefly as possible.

- A layer of hoarfrost in the freezer compartment will impair refrigeration of the frozen food and increase power consumption. Defrost the appliance regularly.
- Occasionally clean the rear of the appliance with a vacuum cleaner or paint brush to prevent an increased power consumption.

Operating noises

Completely normal noises

Humming noise – refrigerating unit is running.

Bubbling, whirring or gurgling noises – refrigerant is flowing through the refrigeration tubing.

Clicking noise – motor is switching on or off.

Noises which can easily be eliminated

The appliance is not standing level

Please use a spirit-level to ensure that the appliance is standing level. Adjust the threaded feet or place something underneath to bring the appliance level.

The appliance is crowded

Please leave clearance between the appliance and surrounding furniture or appliances.

Drawers, baskets or storage surfaces are unsteady or stick.

Please check that the removable parts are correctly in position and reinsert if necessary.

The containers are touching

Place the bottles or containers a little apart.

Eliminating minor faults yourself

Before you call customer service, please check whether you can eliminate the fault yourself based on the following information.

A technician who is called out for consultation purposes will charge the customer, even if the appliance is still under guarantee.

What to do if ...

... the freezer compartment is too cold:

- The temperature selector has been set too low.
- Fast freeze was inadvertently left ON (yellow pilot light is ON). Switch OFF fast freeze.

... all the pilot lights are OFF,

Check whether:

- The appliance has been switched ON.
- There has been a power failure.
- The fuse for the building electrical system has been switched OFF.
- The mains plug has been correctly inserted into the socket.

... the temperature warning lamp (red) is glowing.

The freezer compartment is too warm because:

- The door was opened frequently or large quantities of fresh food were frozen.
- The temperature selector was set to a higher setting.
- The ventilation slots were covered.

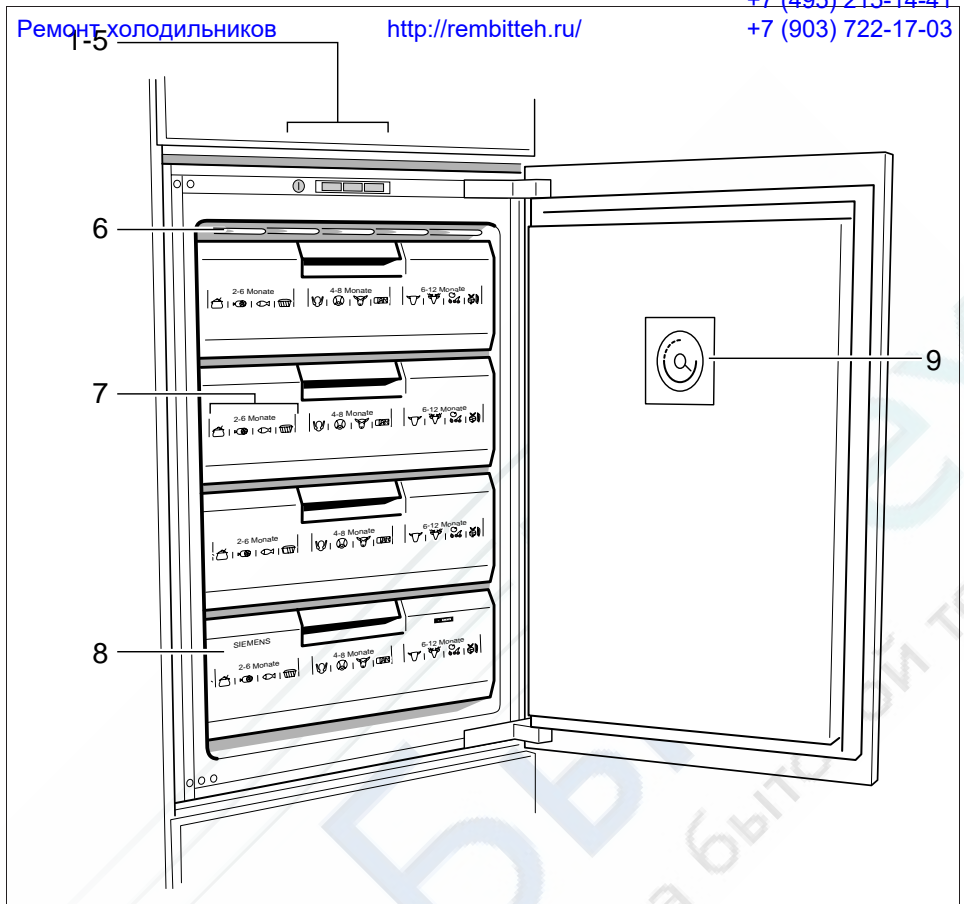
When these faults have been rectified, the temperature warning light goes out. If the light does NOT go out, call customer service.

Customer service

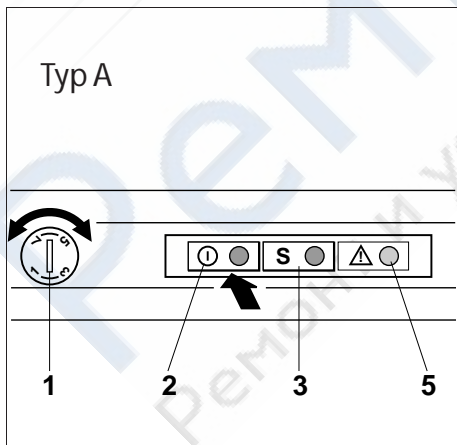
Please check your telephone book or the customer-service list for your nearest customer-service facility. When contacting customer service, please ALWAYS quote the product number (E-number) and production number (FD-number) of your appliance.

These numbers can be found on the rating plate. **Fig. 10**

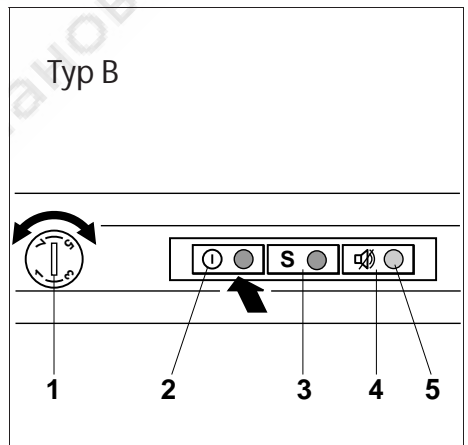
To prevent unnecessary call-outs, please assist customer service by quoting the product and production numbers. This will save you additional costs.



1

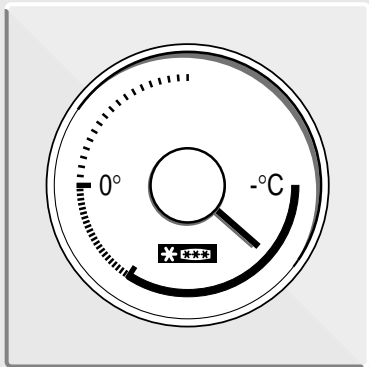


2

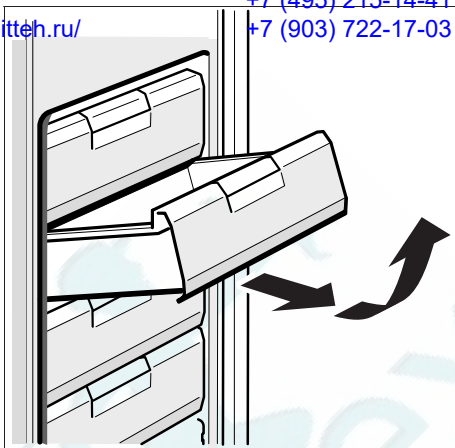


2

3



4

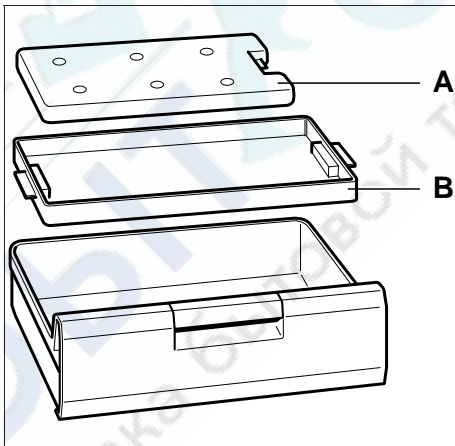


6

2-6 Monate



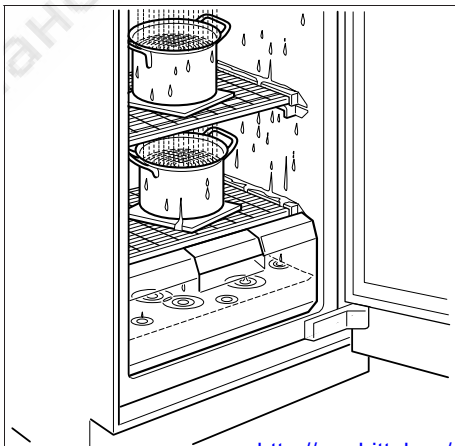
7



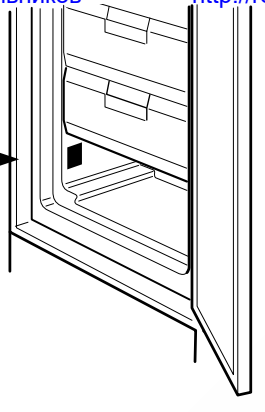
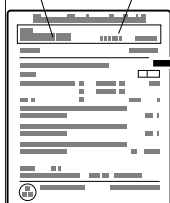
8



9



E-Nr. FD-Nr.



РЕМБИТТЕХ
Ремонт и установка бытовой техники

Family Line

Ремонт холодильников

<http://rembitteh.ru/>

+7 (495) 215-14-41

+7 (903) 722-17-03

01805-2223

(EUR 0,12/Min.DTAG)

Siemens-Hausgeräte

<http://www.siemens.de/hausgeraete>

Änderungen vorbehalten.

Subject to alterations.

Sous réserve de modifications.

Salvo modifichie.

Wijzigingen voorbehouden.

Se reserva el derecho a efectuar modificaciones.

Direitos reservados quanto a alterações.

Τηρούμε το δικαίωμα αλλαγών.

Siemens-Electrogeräte GmbH
Carl-Wery-Straße 34, 81739 München

5700 011 605 (8310) de/en/fr/it/nl/es/pt/el

<http://rembitteh.ru/>